

C7392 Wide Beam
C7394 Medium Beam
C7396 Narrow Beam

Straight Downlights
250W T-4 Tungsten Halogen Lamps
7 1/4" Conoid Apertures

Optics and Applications

Three distribution patterns for different ceiling heights or design objectives. Performance is free from hot spots, filament images or striations. The T-4 lamp is easily dimmed. Use in churches, terminals, displays, auditoriums, lobbies etc.

Design Features

Cast aluminum heat sinks exhaust heat to the plenum. Glass lamp shields are provided. Reflectors produce predictable patterns and are secured within a stepped hydroformed housing for impact protection and dependable alignment with socket and aperture trim. Maximum ceiling thickness 2". Service from above or below.

Finish

Specular clear Alzak cones are standard. Optional colors and Softglow® finishes are available. Housing and structural parts are painted optical matte black to suppress stray light leaks. Steel parts are phosphate conditioned for corrosion resistance before painting.

General

Fixtures are pre-wired and thermally protected, UL and C-UL listed for eight wire 75°C branch circuit wiring. Union made IBEW. Luminaire Efficiency Rating (LER) data is in the photometric directory located in Section Z.

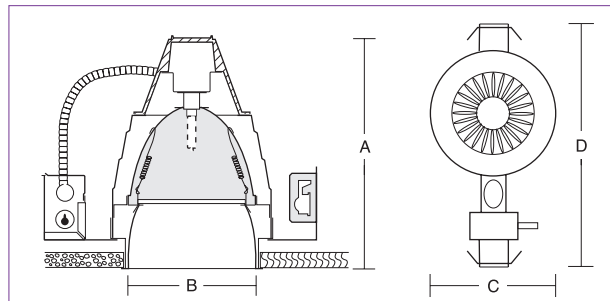
Accessories

- B Black cone. T Titanium cone.
 - G Gold cone. W Wheat cone.
 - H Mocha cone. Y Pewter cone.
 - P Graphite cone. Z Bronze cone.
 - S Softglow® finishes: add S before color letters. e.g. SW for Softglow® wheat cone, SC for Softglow® clear cone.
 - R2 26" support rails. WT White trim flange.
 - R5 52" support rails.
- WRL Wattage restriction label, specify wattage.

Matching Units

Downlights, 500W Page C32
 Sloped ceilings Pages C33, C34, C35

Dimensions and Lamps



Number	A Depth	B Aperture	C Width	D Length	Lamps
C7392	14" 356mm	7 1/4" 184mm	9 3/4" 248mm	19 3/4" 502mm	250W T-4 Mini-can Frosted
C7394	14" 356mm	7 1/4" 184mm	9 3/4" 248mm	19 3/4" 502mm	250W T-4 Mini-can Frosted
C7396	14" 356mm	7 1/4" 184mm	9 3/4" 248mm	19 3/4" 502mm	250W T-4 Mini-can Frosted

Brightness

Number	Lamps	85°	75°	65°	55°	45°
C7392	250W T-4 Frosted	2	7	12	402	5390
C7394	250W T-4 Frosted	6	29	37	248	9280
C7396	250W T-4 Frosted	3	10	15	24	517

Data in footlamberts. Photometer readings, Maximum Brightness Method.

C31 C7392 C7394 C7396

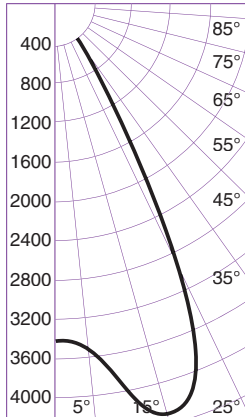
Performance Datachart

Single Unit Initial Footcandles, 30" Work Plane						Ceiling to Floor	Multiple Units Initial Footcandles, 30" Work Plane				
C7392 250W T-4 Frosted Read Top Data C7394 250W T-4 Frosted Read Bottom Data							Ceiling 80%	Walls 50%	Floor 20%		
Nadir	10°		20°		30°	Spacing is Maximum Over Work Plane					
FC	FC	Diam	FC	Diam	FC	Diam	Spacing	RCR 1	RCR 3	RCR 8	
38	45	3'	35	7'	13	11'	12'	10'	41	36	27
90	63	3'	36	7'	10	11'	6'	6'	131	116	90
22	26	4'	20	9'	8	14'	15'	13'	23	21	16
52	37	4'	21	9'	6	14'	8'	8'	76	67	52
11	13	6'	10	13'	4	20'	20'	18'	12	11	8
26	19	6'	11	13'	3	20'	11'	11'	39	34	26
7	8	8'	6	16'	2	26'	25'	23'	7	6	5
16	11	8'	6	16'	2	26'	14'	14'	23	21	16
5	5	10'	4	20'	2	32'	30'	28'	5	4	3
11	8	10'	4	20'	1	32'	17'	17'	16	14	11

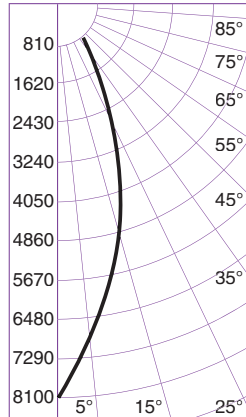
Single Unit Initial Footcandles, 30" Work Plane						Ceiling to Floor	Multiple Units Initial Footcandles, 30" Work Plane				
C7396 250W T-4 Frosted							Ceiling 80%	Walls 50%	Floor 20%		
Nadir	5°		10°		20°	Spacing is Maximum Over Work Plane					
FC	FC	Diam	FC	Diam	FC	Diam	Spacing	RCR 1	RCR 3	RCR 8	
53	40	3'	27	6'	12	13'	12'	6'	112	103	84
32	24	4'	16	8'	7	16'	25'	8'	68	62	51
22	16	5'	11	10'	5	20'	30'	10'	46	42	34
15	11	6'	8	11'	4	24'	35'	12'	33	30	24
12	9	7'	6	13'	3	27'	40'	14'	24	22	18

See note 1.

Candlepower Distribution



C7392 250W T-4 Frosted
Eff. 72% S/M 1.03



C7394 250W T-4 Frosted
Eff. 78% S/M .60

Candelas

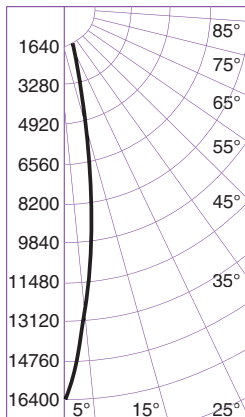
	C7392	C7394
o	4850*	4850*
0	3436	8100
5	3463	6998
10	4207	5999
15	4355	4995
20	3854	3938
25	3029	2574
30	1841	1328
35	750	698
40	231	306
45	75	189
50	19	54
55	10	5
60	6	0
65	0	0
70	0	0
75	0	0
80	0	0
85	0	0
90	0	0

o Vertical Angles
* Initial Lamp Lumens

Coefficients of Utilization

Ceiling	80%				70%				50%				30%				0					
	70	50	30	10	50	10	50	10	50	10	50	10	50	10	50	10	50	10	50			
Wall %	RCR Zonal Cavity Method - Floor Reflectance 20%																					
1	.91	.89	.87	.86	.87	.84	.84	.82	.81	.79	.76	.87	.84	.82	.81	.79	.76	.84	.82	.81	.79	.76
2	.87	.84	.81	.78	.82	.78	.80	.76	.77	.74	.72	.80	.76	.77	.74	.72	.78	.76	.77	.74	.72	
3	.83	.79	.75	.73	.78	.72	.76	.71	.74	.70	.68	.76	.71	.74	.70	.68	.74	.70	.74	.70	.68	
4	.80	.75	.71	.68	.74	.67	.72	.67	.71	.66	.64	.72	.67	.71	.66	.64	.70	.66	.71	.66	.64	
5	.77	.71	.67	.64	.70	.63	.69	.63	.67	.62	.61	.69	.63	.67	.62	.61	.67	.63	.67	.62	.61	
6	.73	.67	.63	.60	.67	.60	.65	.59	.64	.59	.58	.66	.60	.65	.59	.58	.64	.59	.64	.59	.58	
7	.70	.64	.60	.57	.63	.57	.62	.56	.62	.56	.55	.63	.57	.62	.56	.55	.62	.56	.62	.56	.55	
8	.68	.61	.57	.54	.61	.54	.60	.54	.59	.53	.52	.61	.54	.60	.54	.52	.60	.54	.59	.53	.52	
9	.65	.58	.54	.51	.58	.51	.57	.51	.56	.51	.50	.59	.51	.57	.51	.50	.58	.51	.56	.51	.50	
10	.62	.56	.52	.49	.55	.49	.55	.49	.54	.49	.48	.57	.49	.55	.49	.48	.56	.49	.54	.49	.48	

C7392 250W T-4 Frosted x .89
C7394 250W T-4 Frosted



C7396 250W T-4 Frosted
Eff. 80% S/M .36

Notes

- 1 Datachart degree headings are measured from one side of nadir. The diameter data includes both sides. Therefore the 10° column describes a total 20° pattern diameter at the work plane 30" above the floor. Footcandle values are at the diameter edge.
- 2 Colored cone multipliers:
Gold x .97, Wheat x .92,
Pewter x .86, Mocha x .86,
Graphite x .83, Titanium x .83,
Bronze x .77, Black x .68.
- 3 Our brightness data derives from direct photometer readings which approximate what the eye perceives when evaluating glare. For a complete discussion refer to Z section brochure Z1.

	C7396
o	4850*
0	16363
5	12238
10	8704
15	6520
20	4484
25	1899
30	422
35	127
40	0
45	0
50	0
55	0
60	0
65	0
70	0
75	0
80	0
85	0
90	0

o Vertical Angles
* Initial Lamp Lumens

Ceiling	80%				70%				50%				30%				0				
	70	50	30	10	50	10	50	10	50	10	50	10	50	10	50	10	50	10	50		
Wall %	RCR Zonal Cavity Method - Floor Reflectance 20%																				
1	.94	.92	.90	.89	.90	.88	.87	.85	.84	.82	.79	.88	.85	.84	.82	.79	.87	.85	.84	.82	.79
2	.91	.88	.85	.83	.86	.82	.84	.80	.81	.79	.76	.84	.80	.81	.79	.76	.83	.80	.81	.79	.76
3	.88	.84	.81	.78	.83	.78	.81	.76	.79	.75	.73	.81	.76	.79	.75	.73	.80	.76	.79	.75	.73
4	.85	.80	.77	.74	.79	.74	.78	.73	.76	.72	.71	.78	.73	.76	.72	.71	.77	.73	.76	.72	.71
5	.82	.77	.74	.71	.76	.71	.75	.70	.74	.70	.68	.75	.70	.74	.70	.68	.74	.70	.74	.70	.68
6	.80	.74	.71	.68	.74	.68	.73	.68	.72	.67	.66	.73	.68	.72	.67	.66	.72	.67	.72	.67	.66
7	.77	.72	.68	.66	.71	.66	.70	.65	.69	.65	.64	.70	.65	.69	.65	.64	.70	.65	.69	.65	.64
8	.75	.69	.66	.63	.69	.63	.68	.63	.67	.63	.62	.68	.63	.67	.63	.62	.67	.63	.67	.63	.62
9	.73	.67	.64	.61	.67	.61	.66	.61	.65	.61	.60	.66	.61	.65	.61	.60	.65	.61	.65	.61	.60
10	.71	.65	.62	.59	.65	.59	.64	.59	.64	.59	.58	.64	.59	.64	.59	.58	.64	.59	.64	.59	.58

C7396 250W T-4 Frosted